

PBS Closed-System Sampling Conical (50mL)

Part# VV-04564

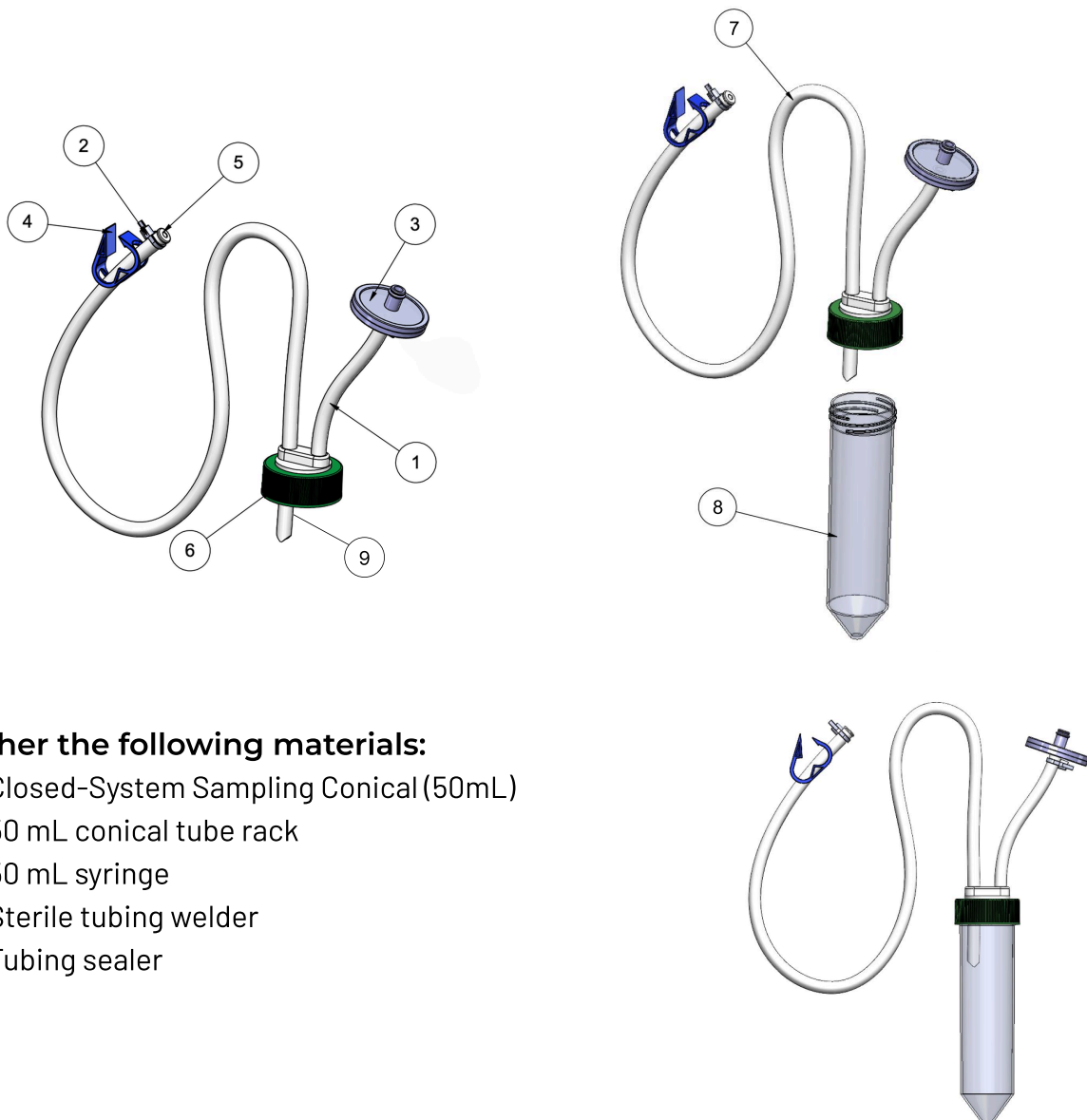


Driven By Vertical-Wheel® Technology

Vertical-Wheel Technology enables the performance, precision, and scalability across our family of bioreactors



ITEM NO.	DESCRIPTION	QTY.
-	PBS CLOSED-SYSTEM SAMPLING CONICAL, 50ML, PACK OF 10	1
1	C-FLEX® 374 TUBING, 1/8" INNER DIAMETER, 1/4" OUTER DIAMETER, 3" LONG	1
2	CABLE TIE, 0.09 X 3.62", NATURAL NYLON	2
3	SYRINGE FILTER, PTFE 0.2µm, 25MM DIAMETER, POLYPROPYLENE	1
4	PINCH CLAMP, FITS 1/4" OUTER DIAMETER TUBING, BLUE POLYPROPYLENE	1
5	PLUG TO BARB CONNECTOR, FITS 1/8" INNER DIAMETER TUBING, POLYPROPYLENE	1
6	CUSTOM CAP, WITH SAMPLE TUBE APERTURES, FOR 50ML CONICAL TUBE	1
7	C-FLEX 374 TUBING, 1/8" INNER DIAMETER, 1/4" OUTER DIAMETER, 18" LONG	1
8	CONICAL TUBE, 50ML	1
9	C-FLEX 374 TUBING, 1/8" INNER DIAMETER, 1/4" OUTER DIAMETER, 1.25" LONG	1

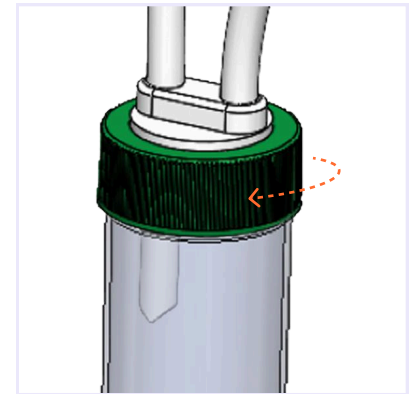


1

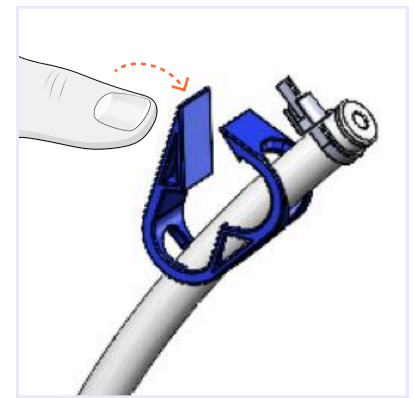
Gather the following materials:

- Closed-System Sampling Conical (50mL)
- 50 mL conical tube rack
- 50 mL syringe
- Sterile tubing welder
- Tubing sealer

2 Verify that the sampling cap is securely tightened, then place the conical tube upright in the tube rack.



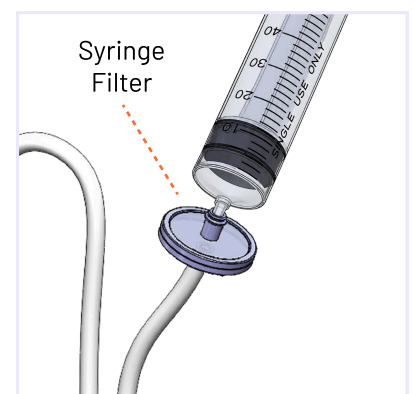
3 Close clamps on:
1. The C-Flex tubing on the conical sample line (line without the filter).
2. The C-Flex tubing on the PBS vessel sample line on the appropriate port.



4 Using a sterile tubing welder, sterile weld the sampling conical line to the PBS vessel's sampling port.

5 Pull the syringe plunger up to fill the syringe with approximately 20-30mL of air. This air will be used clear any residual liquid in the sample line prior to pulling a sample.

6 Attach and securely tighten the syringe to the syringe filter.



7 Set the PBS vessel agitation to appropriate speed for full cell suspension.

8 Unclamp both the vessel sampling line and the sampling conical line.

9 Gently depress the syringe plunger to flush any residual fluid in the sampling line back into the vessel.

10 **Collect the sample by quickly and smoothly pulling the syringe plunger:**

- Use two hands while handling the syringe
- Do not draw sample above the level of the internal dip tube.
- Recommended maximum draw collection volume is 30 mL per draw.

11 Once the desired sample volume is collected, gently depress the syringe plunger to clear the sampling line and return any remaining cell suspension to the vessel.

12 Clamp the sampling line and disconnect the assembly using the tubing sealer.



BIOREACTOR COMPANY
OF THE YEAR 2025

Awarded By
Life Sciences
Review

NPS
Score **80**
World-Class Service

STILL HAVE QUESTIONS?

Contact our support team at:
customer.service@pbsbiotech.com

Address 4721 Calle Carga, Camarillo, CA 93012
Phone +1 805 482-7272
Website pbsbiotech.com

